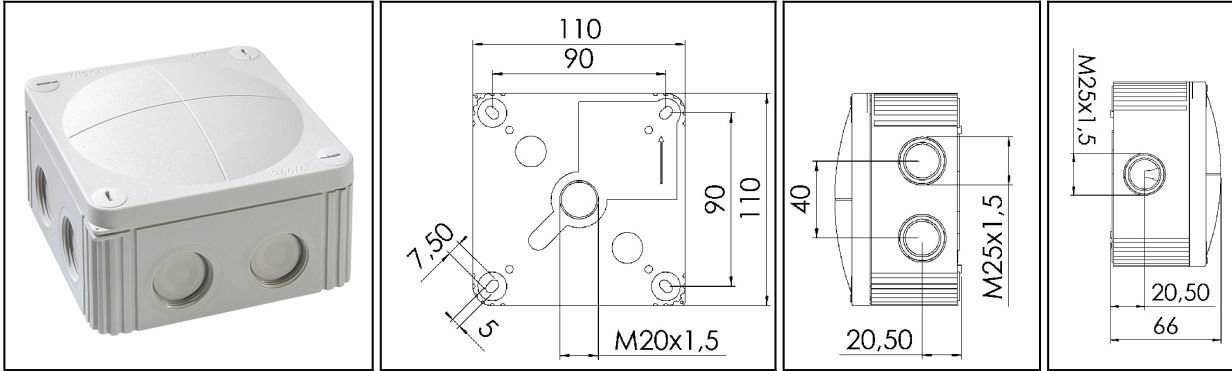


**COMBI 607**

**Protection class to EN 60 529:**

IP 66 / 67

**Flame protection:**

Glow wire test 750° C acc. to EN 60695-2-11

**Temperatures during installation:**

-5°C to 60°C

**Temperature range of material:**

-30°C to 100°C, intermittent up to approx. 120°C

**Voltage:**

690 V

**Material:**

Polypropylene, reinforced glass fibre; sealing: thermoplastic elastomere

**Terminals/poles:**

 6 mm<sup>2</sup>
**Fixing:**

4 internal openings outside of the sealing area

**Equipment:**

Elastic self-sealing membranes for cable entry without mechanical devices: 7 inlets at the side and 3 inlets in the base

- 7 integrated M 25 threads, no locknuts necessary

- 4 captive quick-release lid screws

- Colour RAL 7035 light grey

- .../S = black

- .../W = white

- .../ESKV incl. 3 pcs. ESKV M 25 (\*Sealing range 9 - 17 mm)

**Accessories:**

- DIN RAIL KIT 607: Rail TS 35 + Fixing material,

- EC 607 Earthing plate

Type


 L x B x H  
external / open  
mm

COMBI 607

3/27

3 - 17



110 x 110 x 66